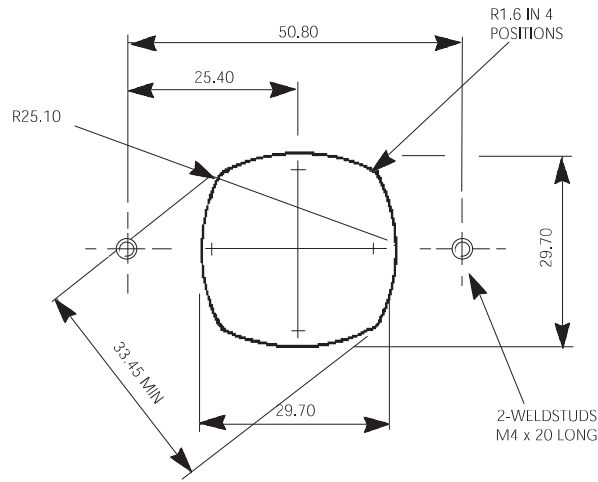
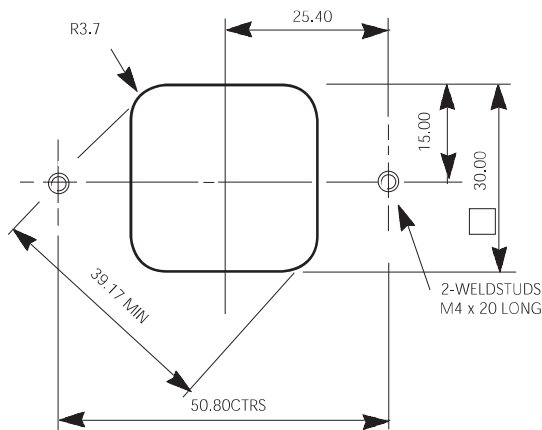


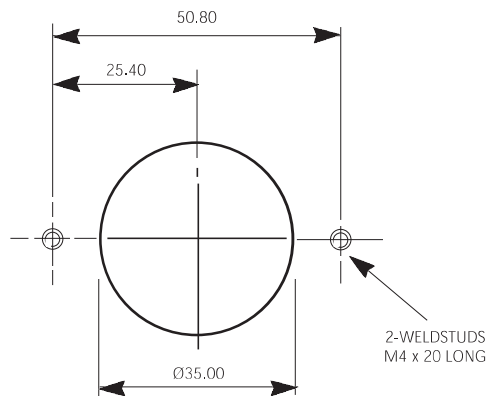
### US89 CUTOUT & STUD POSITIONS



### US90 CUTOUT & STUD POSITIONS



### US91 CUTOUT & STUD POSITIONS



**Note:** The current design keyswitches also have diagonal fixings to allow upgrading/replacement without the need to re-stud faceplates.