



PEW Electrical Distributors

Pushbuttons



GIUNONE

Oversized pushbutton with Braille, 54x54mm

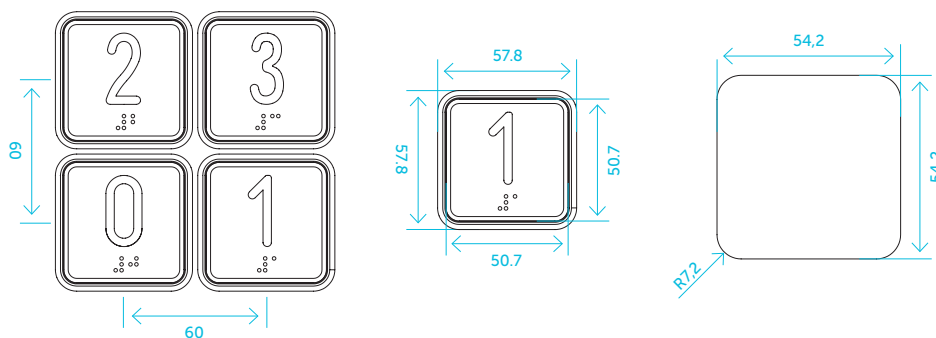


MAIN FEATURES

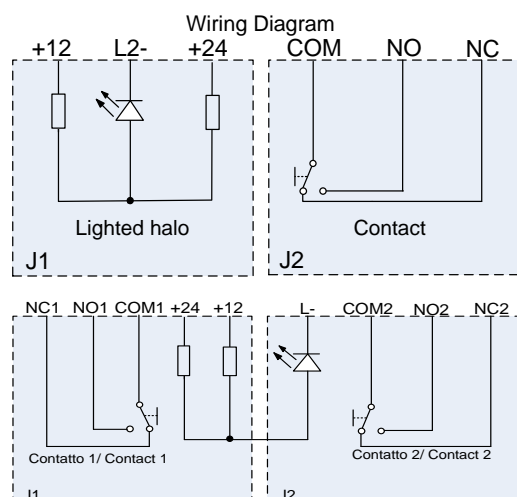
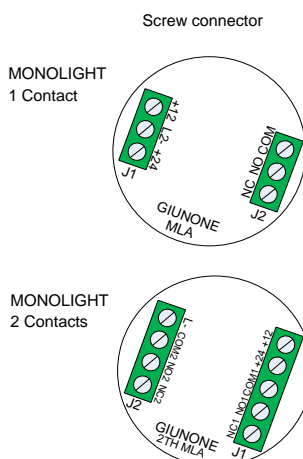
- Body: zamak push button (body and bezel united) rated to IP54
- Pressel: polycarbonate with stainless steel AISI 304 or gold/black PVD coated finishes; raised legend(s) and Braille
- Illumination: LED 12V or 24V DC 30mA
- Illumination options: MonoLight and Bicolor in red, blue, green and white
- Mounting: the button is put into the cut out (Ø 40,2) from the front and fixed by threaded ring from the rear
- Faceplate Thickness: 0,7 mm to 5 mm
- Contacts: 1 micro switch or 2 micro switches
- Wiring: Screw terminals or pre-wired connectors (AMP, JST or minispox).
- Stroke: 1,2 mm.
- Avg. life: 2.000.000 activations
- Complies to **EN 81-70 standards and EN81-71 Cat 1**



DIMENSIONS



CONNECTIONS



PEW Electrical Distributors Ltd

Unit 1 The iO Centre
59-71 River Road
Barking, Essex IG11 0DR

0208 507 1001

sales@pewelectrical.com
www.pewelectrical.com

