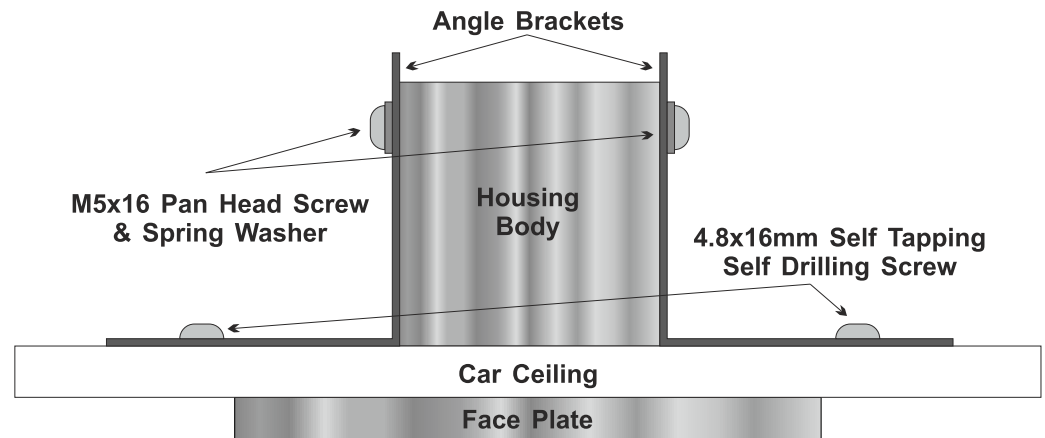




**PEW Electrical
Distributors Ltd.**

Vandal Resistant Housing Installation Guide

- Drill 76mm cut outs for vandal resistant housing.
- With face plate tightened to housing body offer housing up to hole.
- Lightly fit angle brackets to housing (using slotted edge of bracket) using M5x16 pan head screw and M5 spring washer (provided).
- From car roof pull fitting upward so that the face plate is flush with car ceiling. Tighten screws on housing body.
- Fix angle brackets to car roof using 4.8x16mm self drilling, self tapping
- Once fitted you can remove face plate from inside the car using allen key (provided) and install downlight.
- Tighten face plate back onto housing.



Tel: 020 8507 1001
pewelectrical.com