



PEW Electrical
Distributors

Pushbuttons



TL-X ITALO

Touchless pushbutton with Sensor for car
and landing fixtures

MAIN FEATURES

- Body: stainless steel and nylon push button
- Bezel: deep drawn bezel in stainless steel AISI 304 (gold PVD coated is optional)
- Pressel: polycarbonate with illuminated legend
- Wide range of legends available (not tactile)
- Illumination: LED 12V or 24V DC 30mA
- Illumination options: Bicolor (standby full / latched full) White to Red
- Mounting: the pushbutton is put into the cut out from the front and fixed by a snapped fitting
- Faceplate Thickness: 0,7 mm to 3 mm.
- Contacts: 1 micro switch (1NO or 1NC)
- Wiring: Minisbox 5268 series
- Stroke: 0mm (sensor only)
- Activation: Maximum 3cm distance
- Sensor: Proximity sensor with integrated IR emitter (850nm) and laser emitter
- Degree of protection: IP51
- Power Supply: 8V DC to 30V DC



BRAILLE: optional tag placed
below legend and sensor

ILLUMINATION STYLES



BICOLOR (Standby Halo ON Colour 1, Latched Halo ON Colour 2)
Illumination colours: White/Red.



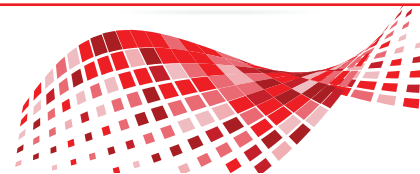
AIDA LOP and COP Touchless examples

PEW Electrical Distributors Ltd

Unit 1 The iO Centre
59-71 River Road
Barking, Essex IG11 0DR

0208 507 1001

sales@pewelectrical.com
www.pewelectrical.com

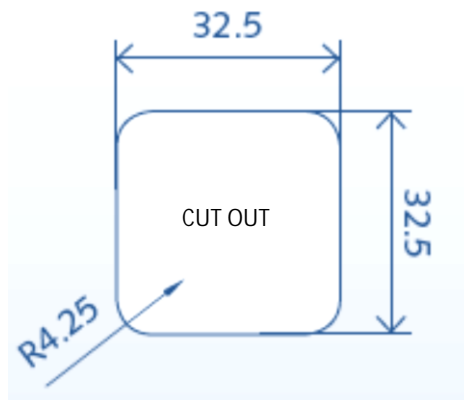


DIMENSIONS

Pushbuttons

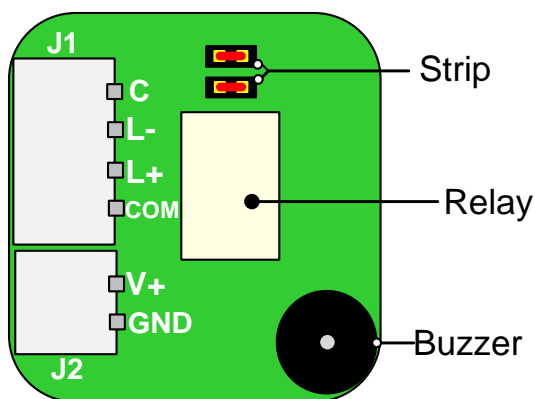


20mm Depth



CONNECTIONS

MINISPOX connectors



PIN	FUNCTION
J1	COM : Common Contact
	L+ : Busy Light (+) 8.0VDC to 30VDC
	L- : Busy Light (-) 0VDC
	C : Dry Contact Output - N/O or N/C
J2	Power Supply
	V+ : 8.0VDC to 30VDC
	GND : 0VDC

*4-way and 2-way Minispop connectors supplied with TL-X Pushbuttons

