



PEW Electrical Distributors Ltd.

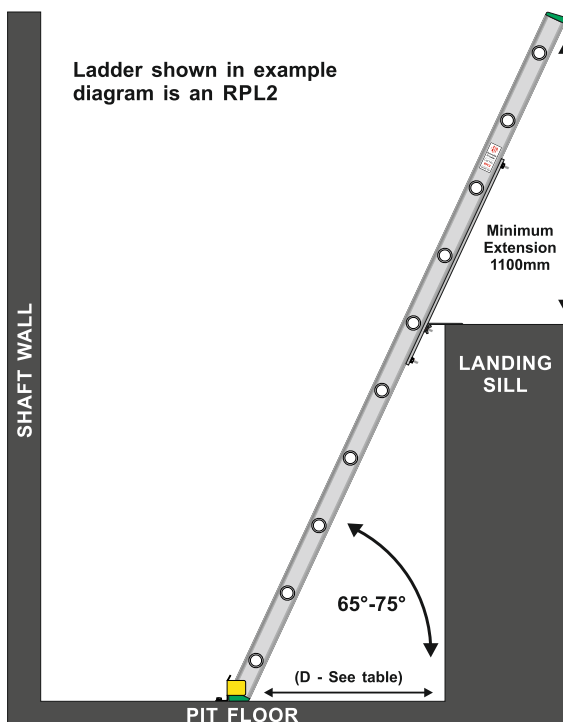
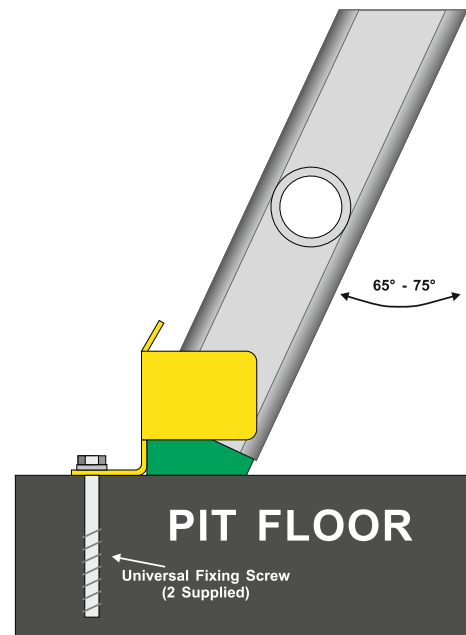
Pit Ladder Restraint Fixing Instructions

The pit ladder restraint is fixed to the pit floor using the two universal floor fixings, which are included.

It is important to that the pit ladder restraint is installed the right way round, ensuring that the angled upright brackets are facing the landing sill wall, to receive and restrain the pit ladder (see fig * below)

EN81-20:2014 Annex F2.3 states that, when in use, the length of the pit ladder must extend to a minimum vertical height of 1.1m above the landing sill and that the permitted angle of inclination of the ladder, should be anywhere between 65° - 75°.

The fixing distance (D) of the pit ladder restraint from the sill wall is listed below, for each size of pit ladder. Please adhere to these measurements, to ensure that the pit ladder extends to the correct height above the landing sill.



Order Code	Length of Ladder	Distance of Ladder Restraint Fixing Holes from Sill Wall
RPL1	2050mm	530mm
RPL2	2500mm	650mm
RPL3	3000mm	780mm

Cat No. **PLR1**