



PEW Electrical Distributors

Pushbuttons



VENUS XL

Push button with Braille and lit Halo & Legend



MAIN FEATURES



- Body: nylon push button with raised symbol (EN 81-70) and Braille
- Bezels: stainless steel (Ø 38,2mm).
- Pressel: polycarbonate with stainless steel AISI 304 or gold/black PVD coated finishes; illuminated raised legend(s) and Braille
- Mounting: the button is put into the cut out (Ø 32,2) from the front and fixed by a threaded ring from the rear
- Faceplate Thickness: 0,7 mm to 5 mm
- Contacts: 1 micro switch or 2 micro switches
- Wiring: Screw terminal or pre-wired connectors (AMP, JST or minispox).
- Illumination: Led 12V o 24V DC 30mA.
- Stroke: 1,2 mm.
- Average life: 2,000,000 activations
- Degree of protection: IP51

FINISHES

INOX Pallinato /
Bead blast
stainless



PVD
Oro pallinato /
Gold bead blast
stainless steel



PVD
Nero pallinato / Black
bead blast stainless steel



ILLUMINATION STYLES



MONOLIGHT
(Standby OFF, Latched Halo ON)
Red, Blue, Green, White



LIGHT (Standby OFF, Latched Halo & Legend ON)
Red, Blue, Green, White



BICOLOR (Standby Halo ON Colour 1, Latched Halo ON Colour 2)
Lighting: Red/Blue, Blue/Red, Red/Green, White/Blue, Blue/White,
Red/ White, White/Red.

LIOP Italia Soft
Icaro Blue LCD &
Venus XL Blue LIGHT

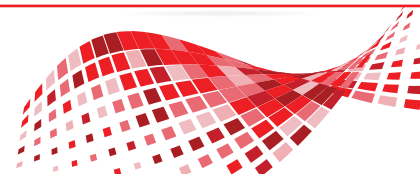


PEW Electrical Distributors Ltd

Unit 1 The iO Centre
59-71 River Road
Barking, Essex IG11 0DR

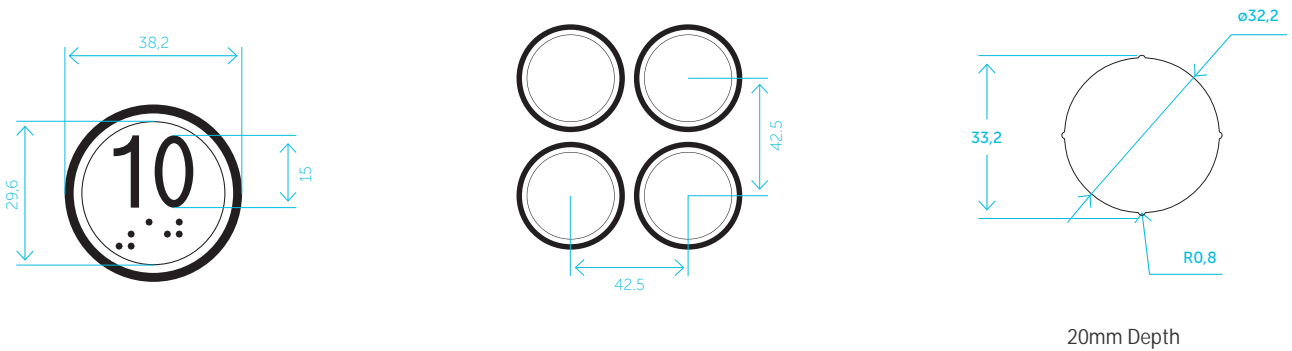
0208 507 1001

sales@pewelectrical.com
www.pewelectrical.com

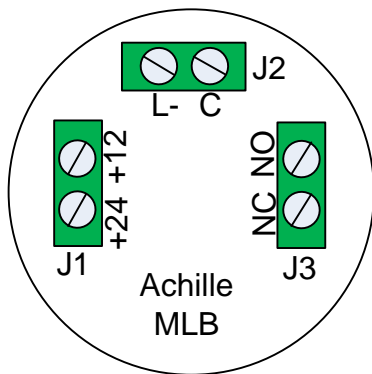


Pushbuttons

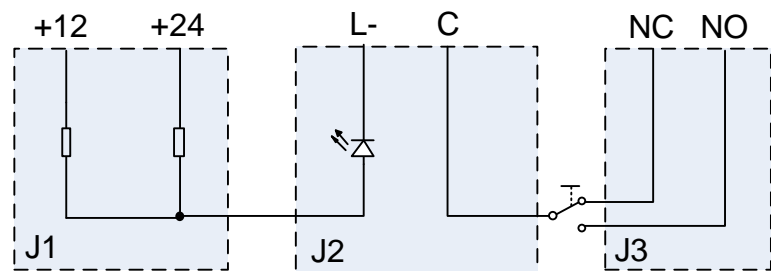
DIMENSIONS



CONNECTIONS



Wiring Diagram



PIN	FUNCTION
J1	+12 : Lighted Halo (+) power supply +12V
	+24 : Lighted Halo (+) power supply +24V
J2	L- : Lighted Halo (-)
	C : Common Contact.
J3	NC : Normally Closed Contact
	NO : Normally Open Contact