



PEW Electrical Distributors

## TFT Displays



### IRIS 2.8"

High resolution landing position indicator



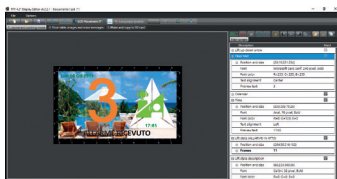
#### MAIN FEATURES

- Easy configuration via onboard menu or PC with SIRIO Software
- Updating by SD Card
- Customizable background, arrows, floors and signals
- EN 81-70 compliant
- ECO Energy saving system mode (stand-by).
- Easy keypad for the selection of the main features (buzzer volume, communication interface, first floor, brightness, stand-by duration)
- Emergency light functionality
- Communication interface: Vega serial, RS485, CAN, parallel and magnetic sensors
- Mounting: protection case
- Mounting: horizontal and vertical
- Compact design: 110mm x 70mm x 20mm

Dimensions: 2.8"  
 Visible area: 42x55mm.  
 Resolution: 240(RGB) x 320 -QVGA  
 Pixel (mm): 0.18x0.18mm.  
 Colours: 65,000  
 Energy consumption: 150mA  
 Power supply: 12/24 Vdc  
 Temperature range: -20/+70°C  
 Encumbrance: 70x110x20mm



### Iris 2.8"



#### SIRIO

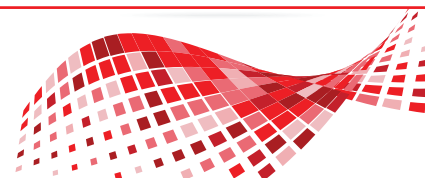
- Intuitive dedicated programming software
- Easily customise your TFT layout
- Inbuilt fonts and arrow design options
- Change display orientation
- Export to microSD Card for display update

PEW Electrical Distributors Ltd

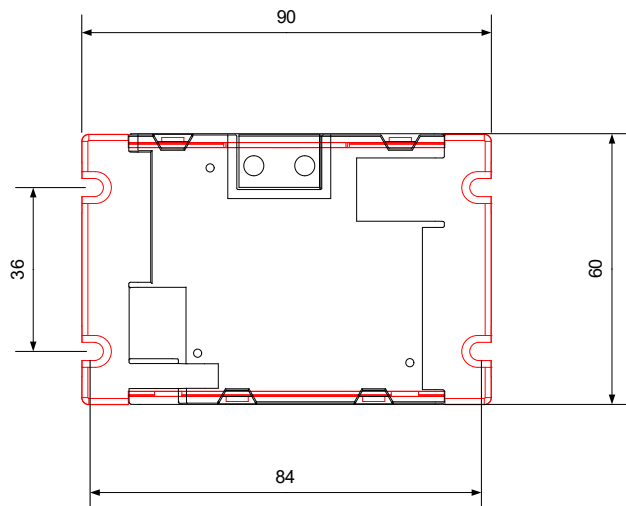
Unit 1 The iO Centre  
59-71 River Road  
Barking, Essex IG11 0DR

0208 507 1001

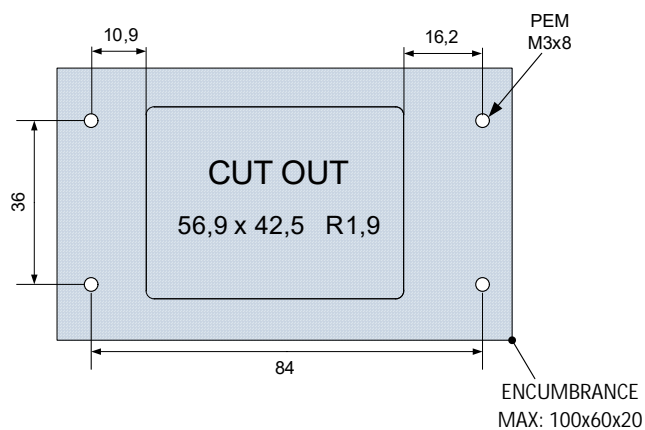
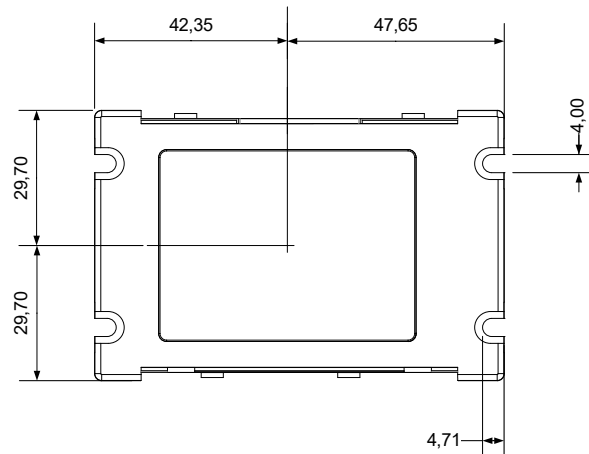
sales@pewelectrical.com  
www.pewelectrical.com



## DIMENSIONS



## TFT Display

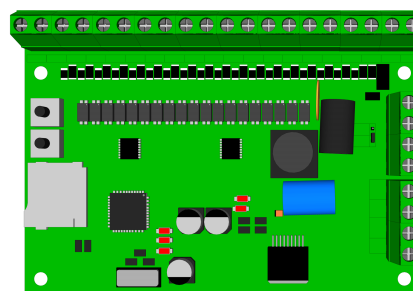


Measures in mm

## INTERFACES

### SNV201:ENC

- RS485 serial encoder board (4-wire) to car & landings
- Binary or Gray inputs
- Maximum 32 stops
- Default or configurable service message inputs
- Configure set-up onboard via buttons
- Inbuilt Speech with speaker included (1W or 5W)
- Update speech using .wav files to MicroSD Card



### 1 PER FLOOR

- Direct input to display
- Maximum 10 stops

### PARALLEL INPUT

- Common Positive (Anode)
- Common Negative (Cathode)